

# KASO R16 SAFE INSTALLATION AND USER MANUAL

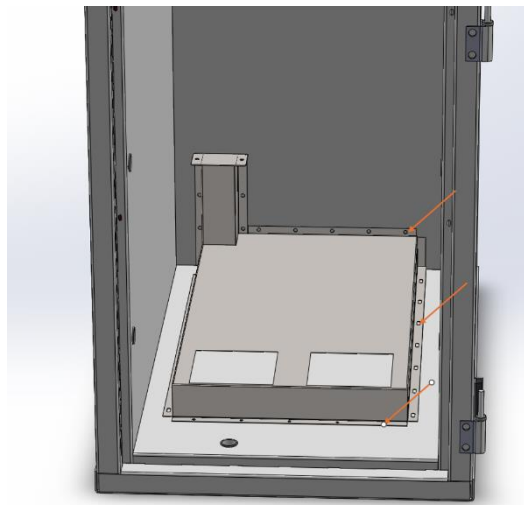
THIS MANUAL IS DELIVERED AS AN APPENDIX TO KASO SAFE USER MANUAL. PLEASE REFER TO THE USER MANUAL IF NEEDED.

## INSTALLATION

Kaso R16 safe needs to be installed minimum clearance of 50 mm and recommended 100 mm from the back wall to allow good air circulation. Remove any furniture etc. from around the safe that may disturb the air circulation.

Kaso R16 safe can be anchored as other Kaso safe models according to the user manual. Depending on the configuration chosen the lower ventilation cover may block the access to the installation screws. In such case install Kaso R16 safe as follows:

1. Remove the lower ventilation cover by opening the M5 screws holding the cover in place



*Figure 1 Lower ventilation cover*

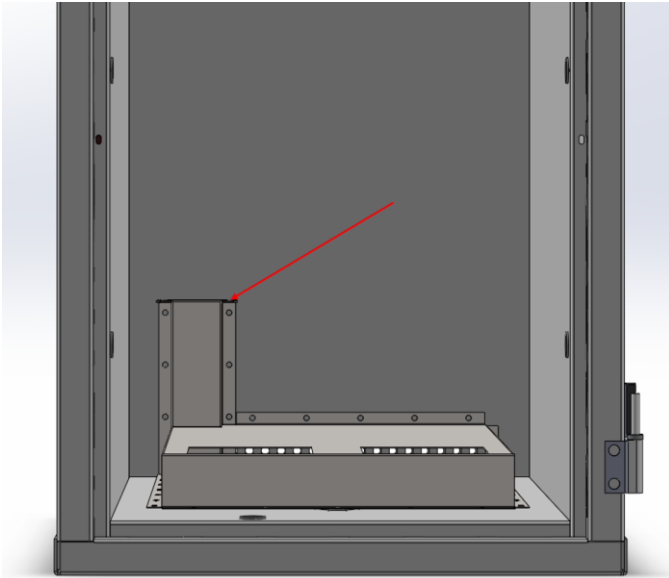
2. Remove the cover and perform the installation as described in the user manual
3. Reinstall the lower ventilation cover. *Note - be careful not to damage the thread in the safe wall!*

## DATA SOCKETS

Kaso R16 safe ventilation covers are equipped with grid with a hole size <math>< 3\text{ mm}</math>. No data socket with smaller dimensions than 4 mm are allowed to be used in the hardware installed inside the safe.

## SOCKETS AND CABLE MANAGEMENT

The cabling chute in the rear wall of the safe is to be used for the all the cabling. The ventilation openings and channels are to be kept clear of any cabling etc. that can disturb the air flow in to the safe.



*Figure 2 Cabling chute*

Only use the IT server rack delivered with R16 cabinet as it is designed to allow maximum air circulation.

**When installing the cabling make sure you have enough free cable inside the cabinet to enable pulling the server rack out of the cabinet!**

When installing the cabling through the cabling chute there are three options for the finalization:

1. Drill the required holes for the cabling to the removable cover plate
2. Fill the void between the cabling with suitable filling mass
3. Loosen the cover plate and pull the cabling form the gap. After installation

tighten the cover plate with a sealing material not allowing any free space between the cables.

**Important: Any void space between the cabling may be used for fishing attempts**